



ROTHBAND

RADIATION PROTECTION

INSTRUCTIONS FOR USE

UNDER COUCH TABLE SHIELD

VERSION 2.0

**UK
CA CE**

Table of Contents

INTRODUCTION	3
INTENDED USE	3
PRODUCT OPTIONS	3
COMPONENTS	4
PLACEMENT	5
REGULATORY COMPLIANCE	7
CAUTIONS AND WARNINGS	8
CLEANING INSTRUCTIONS	9
Lead Curtain	9
Metal Framework	9
WARRANTY	10
CONTACT DETAILS	10

INTRODUCTION

The undercouch table shield is made from flexible lead vinyl panel utilising Dartex® material suspended on a lightweight flexible arm assembly which has been designed to fit a range of DIN rail sizes.

These lower body shields substantially reduce exposure to scatter radiation from under the table. The shields consist of a lightweight and durable aluminium structure, with a pivoting arm supporting a flexible 0.5 mm Pb lead curtain.

The shields easily mount to either side of an imaging table allowing the screen to always point towards the patients head.

Optional semi-flexible top shields provide additional protection to the upper body.

The panel section is available as a full panel or with 200mm overlapped slats.

PRODUCT CODES

TS04

INTENDED USE

For use as protection against secondary radiation. Only to be used after guidance from a qualified RPA and in compliance with relevant local rules.

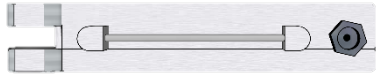
The shield is designed to be used in conjunction with an imaging table and designed to reduce the scatter received from the under couch tube and patient.

The Under couch table screen has been designed to fit on either side of an imaging table

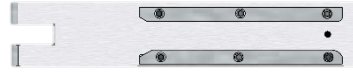
PRODUCT OPTIONS

- The product is available in 0.5 mm Pb LE and 1.0 mm Pb LE
- Available as a single lead sheet (fig 4) or 200mm overlapped slats. (fig 5)
- Optional top shield (fig 6)

COMPONENTS



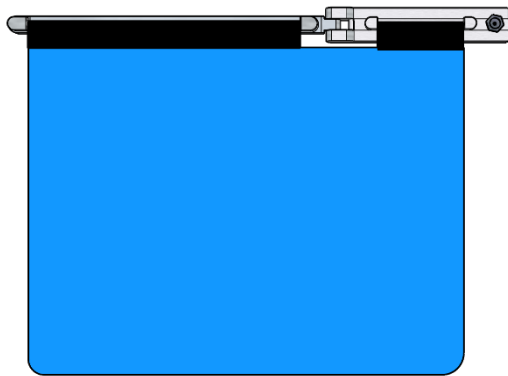
DIN ATTACHMENT UNIT – FRONT
(FIG 1)



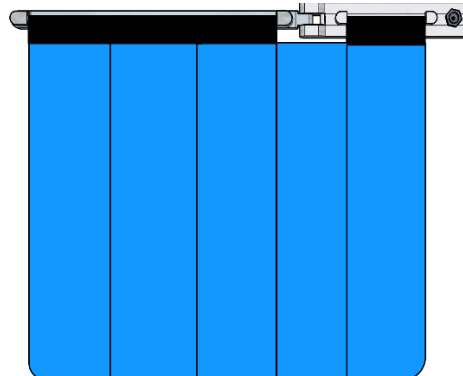
DIN ATTACHMENT UNIT – BACK
(FIG 2)



CURTAIN BAR - FRONT
(FIG 3)



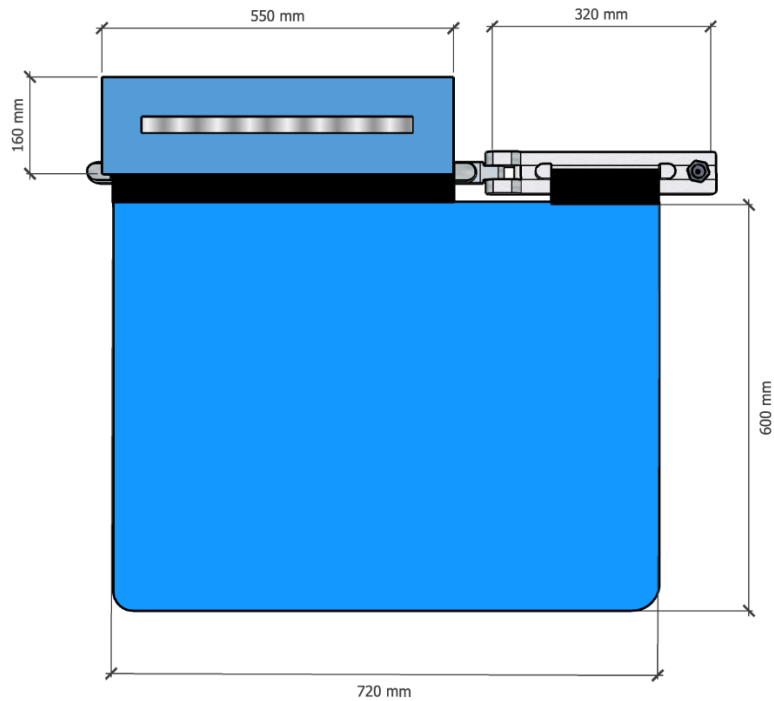
LEAD CURTAIN – FRONT (FULL PANEL CONFIGURATION) (FIG 4)



LEAD CURTAIN – FRONT (SLAT PANEL CONFIGURATION) (FIG 5)



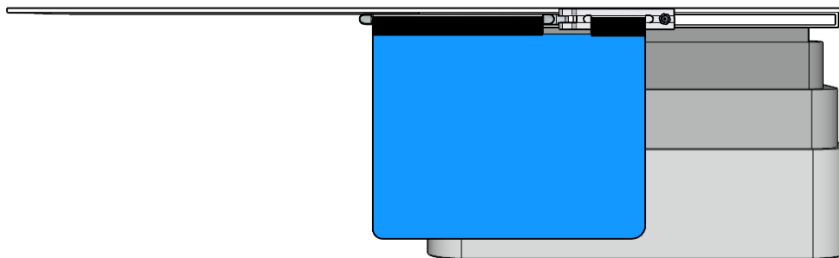
OPTIONAL TOP SECTION (FIG 6)



OVER ALL DIMENSIONS (FIG 7)

PLACEMENT

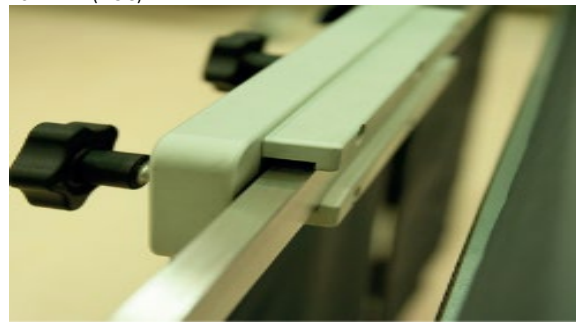
- This product is designed to be attached to an imaging table with a DIN rail.
- Slide the DIN attachment (FIG 9,10) along the rail and secure with the thumb screw



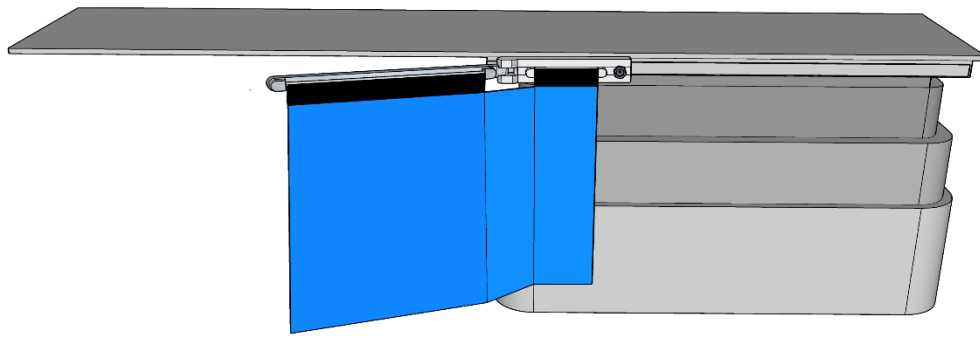
STANDARD SHIELD PLACEMENT – (FIG 8)



DIN RAIL ATTACHMENT - FRONT – (FIG 9)



DIN RAIL ATTACHMENT - BACK – (FIG 10)



ANGLED SHIELD PLACEMENT – (FIG 11)

REGULATORY COMPLIANCE

The Wipeable foam positioning pad range complies with MDR (EU) 2017/745 (EU) and MDD 93/42/EEC (UKCA) concerning medical devices (class I) and has been designed and manufactured to comply with the following standards:

Standard	Description
EN ISO 61331-1 2014 BBG*	Protective devices against diagnostic medical X-radiation. Determination of attenuation properties of materials.
EN ISO 14971:2012	Medical devices - Application of risk management to medical devices (ISO 14971:2007, Corrected version 2007-10-01)
EN ISO 15223-1:2016	Medical devices - Symbols to be used with medical device labels, labelling and information to be supplied - Part 1: General requirements.

CAUTIONS AND WARNINGS



- Only to be used after guidance from a qualified RPA and in compliance with relevant local rules.
- Should be part of your regular testing programs as per lead aprons.
- Do not use if any obvious tears or cracks are apparent.
- Employ caution when moving over uneven floor surfaces.
- Lower the top screen to its lowest point before transport.
- Do not allow sharp objects to penetrate the lead curtain.
- The above warnings & cautions and any safety considerations should be observed on a routine and regular basis, not only upon installation.

CLEANING INSTRUCTIONS

Lead Curtain

The outer covers may be cleaned using mild disinfectant or detergent. Strongly acidic, alkaline, alcohol/phenol based, or abrasive products should not be used. DO NOT LAUNDRER. The product cannot be sterilised.

Metal Framework

Units can be cleaned with water and normal cleaning solutions. After cleaning, ensure the unit is dry before use.

WARRANTY

This product comes with a 12 month warranty

CONTACT DETAILS



WSR Medical Solutions
(Trading as Rothband)
Unit 2 Hargreaves Mill
Hargreaves Street
Haslingden
Lancashire
BB4 5RQ
UK

Tel: 01706 830086
e-mail: sales@rothband.com



Eurolink Europe Compliance Limited, Dublin
D02 AY86